

# AZZA



## WASH BASIN

PRODUCT ID  
(RB.AZA.01G101.01.09)

Vitreous China, counter top Wash Basin with an overflow hole and a single tap hole in centre.

### FEATURES

- Vitreous China wash basin with overflow hole
- Contemporary design
- Single tap hole in centre
- Deep bowl for comfortable use
- Rear overflow hole

### INCLUDED COMPONENTS

- Wash basin fixing kit
- Overflow hole cover
- Faucets not included

### WARRANTY

- 25 year written warranty against crazing and dunting

### STANDARDS APPLICABLE

- Specified model meets or exceeds the following:
- BS EN 14688 : 2006

### TECHNICAL INFORMATION

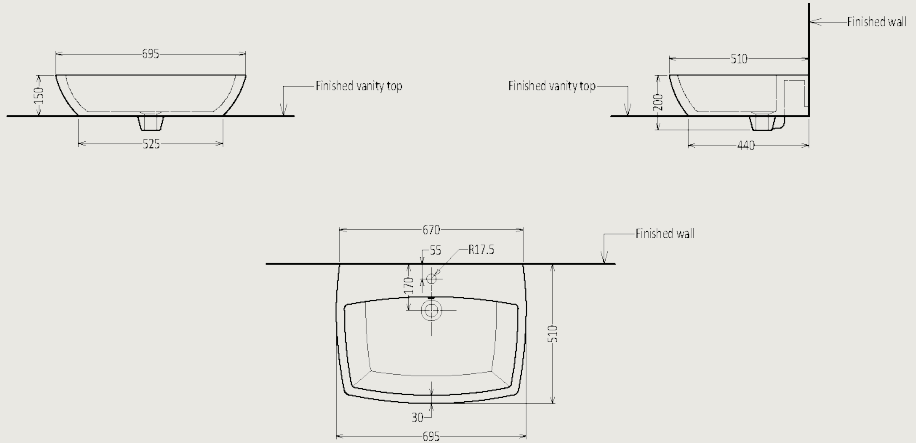
\*\* Approximate measurements for comparison only

CONFIGURATION	VESSEL/COUNTER TOP
Weight	21.5 kg
Basin Area	635 X 345 X 155 mm
Height - Floor to Rim	850 mm
Nominal Dimensions	705 X 500 X 835 mm
Faucet Hole	35 mm
Waste Hole	45 mm
Water Depth	95 mm

# AZZA WASH BASIN

## TECHNICAL DRAWINGS

All drawings contain the necessary measurements, which are subject to standard tolerances. They are stated in mm, are drawn on a scale of 1:20 and are non-binding. Exact measurements, in particular for customized installation scenarios, can only be taken from the finished ceramic piece.



## INSTALLATION NOTES

- Install this product according to the installation guide
- Scan for instructions



Royal Ceramics Lanka PLC.

No.20, R.A. De Mel Mawatha, Colombo 03, Sri Lanka.

☎ 076 6 223 344 ✉ info@rcl.lk 🌐 www.rocell.com

FOLLOW US



\*\* Dimensions of fixtures are nominal and may vary within the range of tolerance. These measurements are subject to change or cancellation. No responsibility is assumed for use of superseded or voided leaflet.